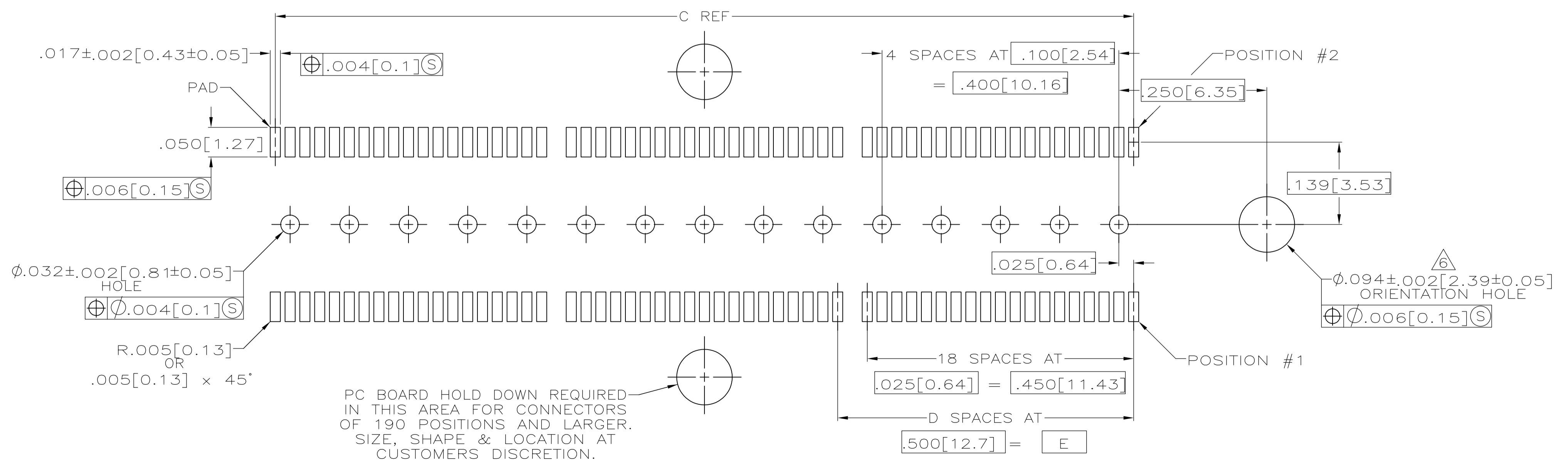
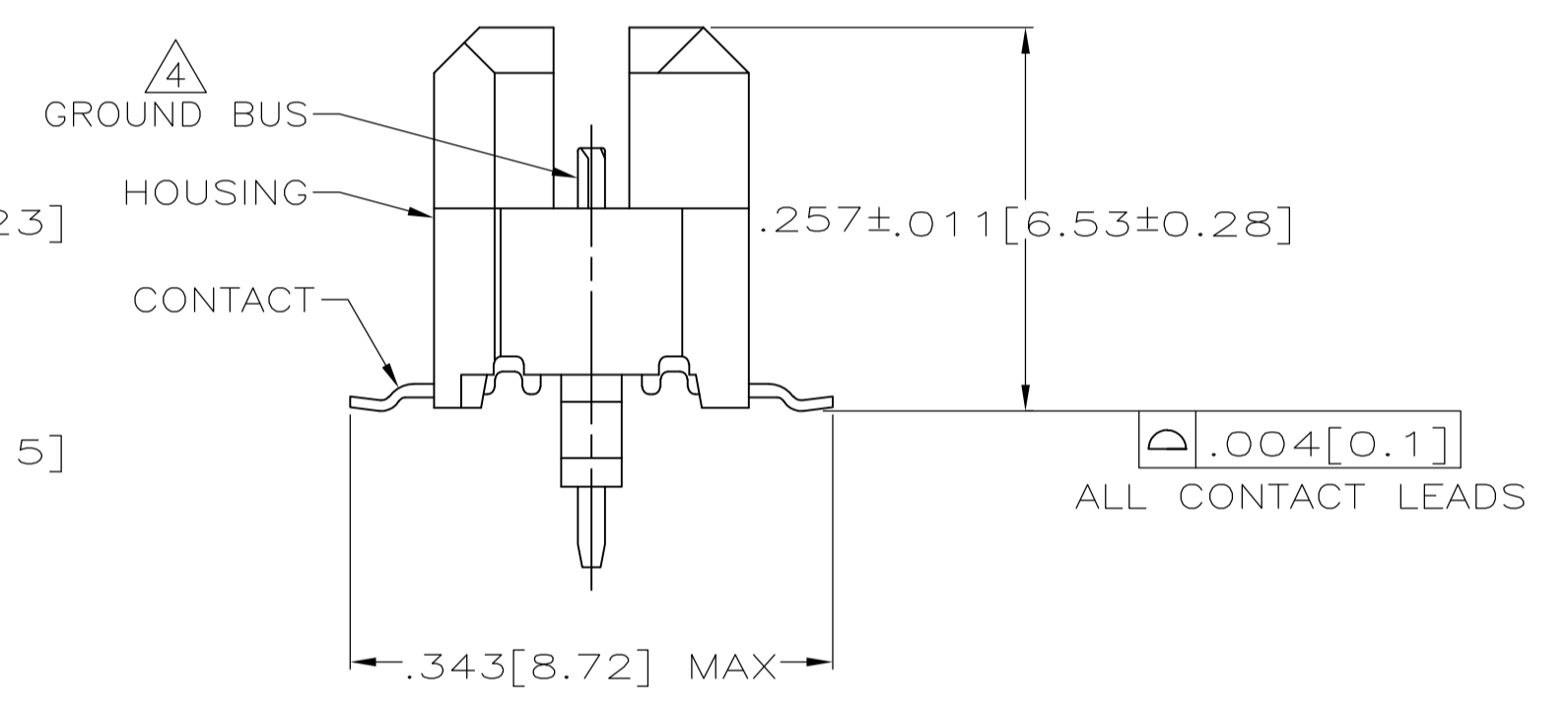
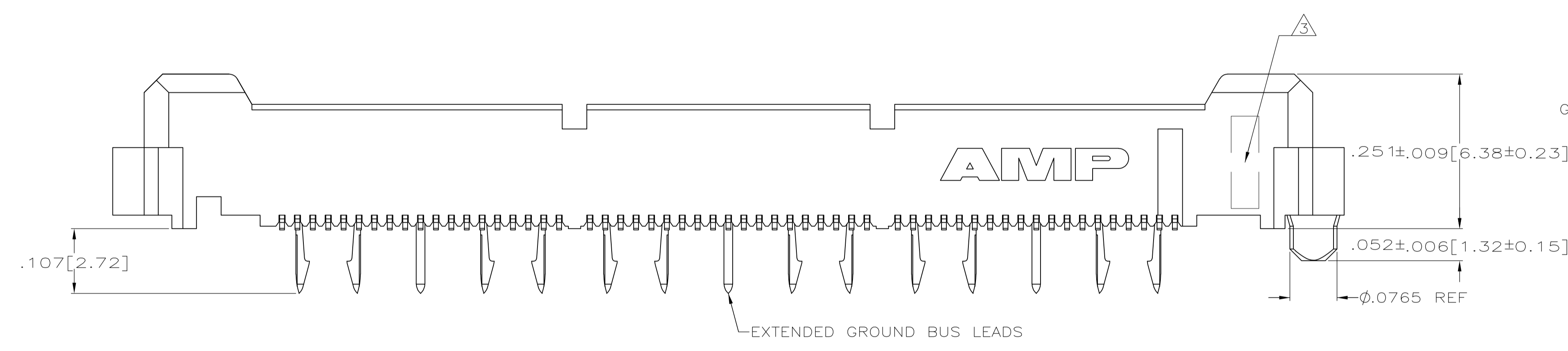


- ① HOUSING: LIQUID CRYSTAL POLYMER, COLOR BLACK.
CONTACTS: HIGH RELIABILITY COPPER ALLOY.
GROUND BUSES: PHOSPHOR BRONZE ALLOY, UNS C51100.
- ② CONTACTS & GROUND BUSES: NICKEL UNDERPLATE ALL OVER, MATING SURFACE PLATED TO MEET LEVEL 2 PERFORMANCE REQUIREMENTS OF TE PRODUCT SPECIFICATION 108-1422, SOLDER TAILS PLATED TIN-LEAD.
- ③ DATE CODE MARKED IN AREA INDICATED ON SAME SIDE AS POSITION #1.
- ④ ONE GROUND BUS WITH 5 TAILS PER EACH MODULE.
- ⑤ TOLERANCE NON-ACCUMULATIVE.
- ⑥ FOR SLIP-FIT APPLICATIONS, ORIENTATION HOLE TO BE $\phi .079 \pm .001 [2.00 \pm 0.03]$.



RECOMMENDED PC BOARD LAYOUT (VIEWED FROM CONNECTOR SIDE)

| | | | | | | |
|--------------|---|---------------|---------------|---------------|-----------|-------------|
| 3.000 [76.2] | 6 | 3.450 [87.63] | 3.898 [99] | 4.000 [101.6] | 266 | 767056-7 |
| 2.500 [63.5] | 5 | 2.950 [74.93] | 3.398 [86.31] | 3.500 [88.9] | 228 | 767056-6 |
| 2.000 [50.8] | 4 | 2.450 [62.23] | 2.898 [73.61] | 3.000 [76.2] | 190 | 767056-5 |
| 1.500 [38.1] | 3 | 1.950 [49.53] | 2.398 [60.91] | 2.500 [63.5] | 152 | 767056-4 |
| 1.000 [25.4] | 2 | 1.450 [36.83] | 1.898 [48.21] | 2.000 [50.8] | 114 | 767056-3 |
| .500 [12.7] | 1 | .950 [24.13] | 1.398 [35.51] | 1.500 [38.1] | 76 | 767056-2 |
| .000 [0] | 0 | .450 [11.43] | .898 [22.81] | 1.000 [25.4] | 38 | 767056-1 |
| E | D | C | B | A | NO OF POS | PART NUMBER |

THIS DRAWING IS A CONTROLLED DOCUMENT.

| | | | | | | | |
|--|--|---|-----------|-----------------------------------|--------------------|-----------|------------|
| DIMENSIONS: INCHES | TOLERANCES UNLESS OTHERWISE SPECIFIED: | 0 PLC ± - | 1 PLC ± - | 2 PLC ± - | 3 PLC ± .005(0.13) | 4 PLC ± - | ANGLES ± - |
| DIN J.GERACE 8-23-96 CIK P.MATAR 8-23-96 NAME ALMONK 8-23-96 | | Tyco Electronics Corporation Harrisburg, PA 17105-3608 | | | | | |
| PRODUCT SPEC 108-1422 APPLICATION SPEC 114-11004 | | SIZE A1 CAGE CODE 00779 DRAWING NO. 767056 | | RESTRICTED TO CUSTOMER DRAWING | | | |

SCALE 8:1 SHEET 1 OF 1 REV N